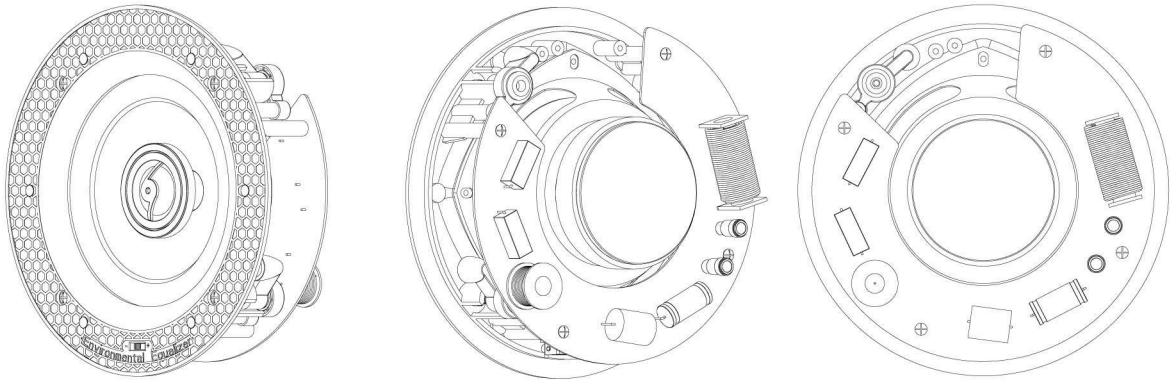
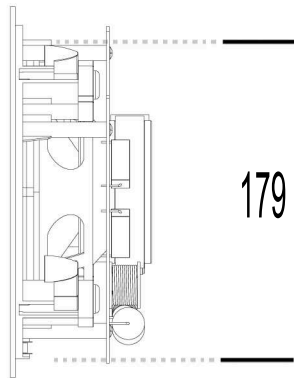


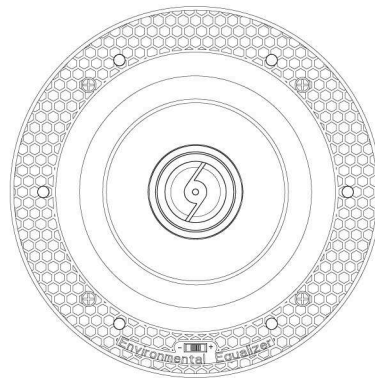
Specification: SPKFREE205-W



75 mm



179 mm



196 mm

- Model** : SPKFREE205-W
- System** : 2-way coaxial
- Woofers** : Kevlar woven cone rubber edge 5,25"
- Tweeter** : Titanium Dome 0,75"
- Power** : 60 W
- Nominaal** : 40 W (RMS)
- dB** : 90 dB
- Impedance** : 8 ohm
- frequency** : 70-20 KHz
- Weight** : 2,2 kg/set

Timple/Audio

Powered by AquaSound

Specification Free speakerset